



DETAILS

32mm x 40mm Bottletrap

'WaterMark' Certification LN 23004

Part Code: BTB-141; BTB-141/B; BTB-141/BC;
BTB-141/CB

Available Finishes: Chrome; Matte Black; Matte
Black/Chrome; Chrome/Matte Black,
respectively

Optional Fittings:

- BSD-030, 32x32mm Cylindrical backnut connects to 32mm Plug & Waste
- BSD-031, 40x32mm Cylindrical backnut connects to 40mm Plug & Waste
- PT-BTB141M2, Extended wall cover plate 60mm
- PT-CPVCADT40, Copper to PVC adaptor

COSMOS / ZIRCONO BOTTLETRAP

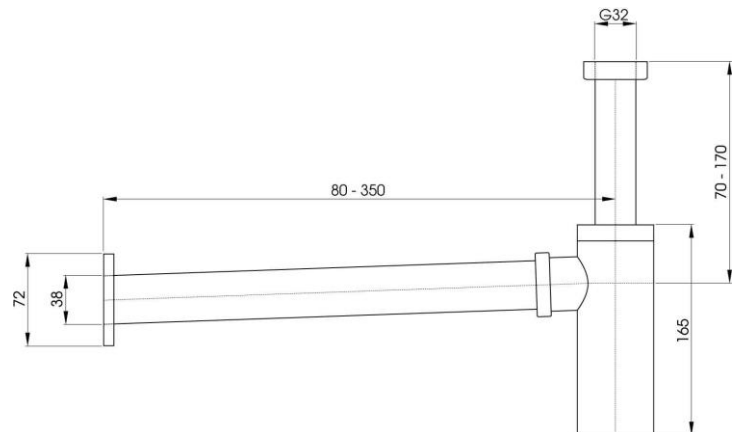
DESCRIPTION

Cosmos Chrome or Zircono Matte Black; Matte
Black/Chrome; Chrome/Matte Black Brass
Bottletrap

FEATURES

- Slimline design
- Telescopic 70-170mm for easy installation
- Australian Standard AS-1589 approved
- Solid DR brass construction
- 32mm Inlet (40mm adaptor available)
- 38mm outlet tube push-fits directly into industry approved copper to PCV adaptor
- Inner copper water-seal tube
- Optional deep 60mm cover plate available
- 3 year manufacturer's warranty on brass waste fittings from date of purchase

TECHNICAL DETAILS



Note: Illustrations and specifications may vary from time to time