



40MM POP-UP DOME WASTE

DESCRIPTION

40mm Pull-out Pop-up Dome Basin Waste

FEATURES

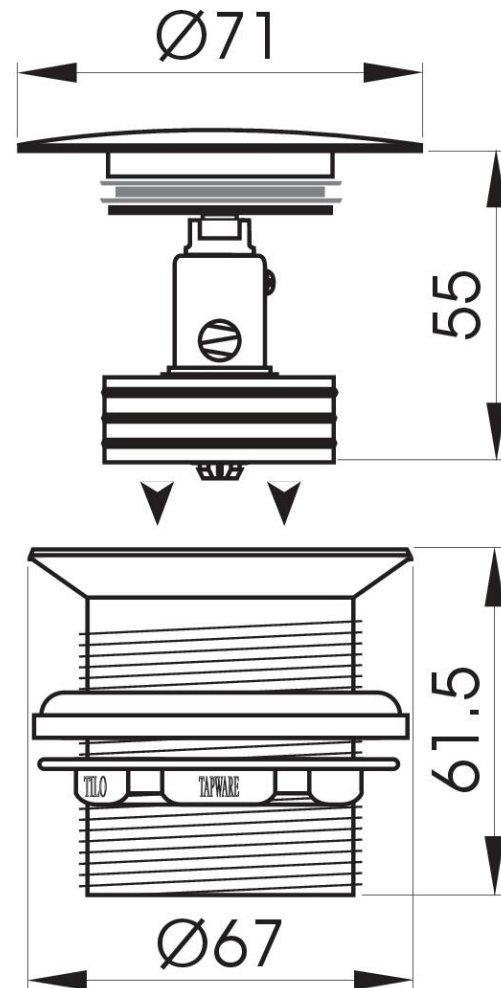
- Fully removable plug and grate unit
- Silicone doubled layered plug seal, silicone flange and backnut washers
- Australian Standard AS-1589 approved
- Solid DR Brass construction
- Hot pressed for strength longevity
- High density chroming
- Overflow model available
- 5 year parts only warranty on Pop-up wastes from date of purchase

DETAILS

Part Code: TW-04B

Available Finishes: Matte Black

TECHNICAL DETAILS



Note: Illustrations and specifications may vary from time to time