



## 32X40MM UNIVERSAL POP-UP WASTE

### DESCRIPTION

32mm x 40mm Bolt Style Pop-Up Basin Waste

### FEATURES

- Suitable for Overflow or Non-overflow basins
- Compact design
- Silicone plug seal
- Easy seal flange washer
- Simple to install with just a screwdriver
- Solid Brass construction with stainless steel 65mm length bolt
- Hot pressed for strength longevity
- Durable electroplate finish
- One model suits all basins
- Australian Standard AS-1589 approved
- Available in other colours
- 3 year parts only warranty from date of purchase

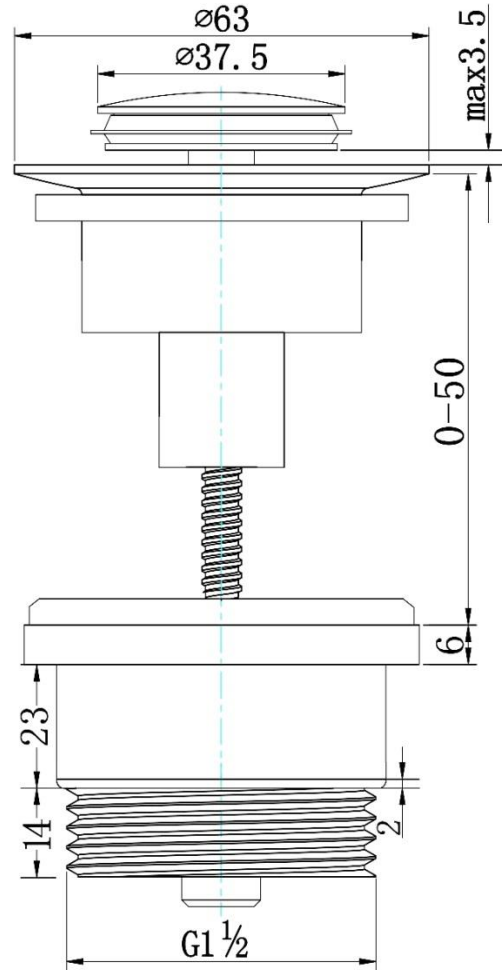
## DETAILS

'WaterMark' Certification LN 23004

Part Code: TWS-081

Available Finishes: Chrome

## TECHNICAL DETAILS



Note: Illustrations and specifications may vary from time to time