



## 32X40MM UNIVERSAL DOME POP-UP WASTE DESCRIPTION

32mm x 40mm Pull Out Bolt Style Dome Pop-Up  
Basin Waste

## FEATURES

- Fully removable plug and grate unit
- Suitable for Overflow or Non-overflow basins
- Compact design
- Silicone plug seal
- Easy seal flange washer
- Simple to install with just a screwdriver
- Solid Brass construction with stainless steel 65mm length bolt
- Hot pressed for strength longevity
- Durable electroplate finish
- One model suits all basins
- Australian Standard AS-1589 approved
- Available in other finishes
- 3 year parts only warranty from date of purchase

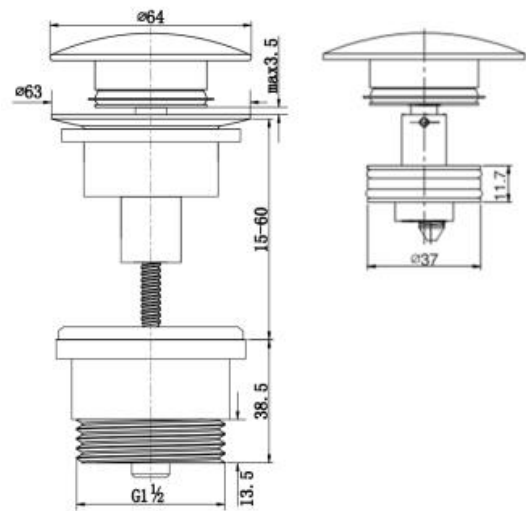
## DETAILS

'WaterMark' Certification LN 23004

Part Code: TWS-082RG

Available Finishes: Rose Gold

## TECHNICAL DETAILS



Note: Illustrations and specifications may vary  
from time to time