



32X40MM UNIVERSAL DOME POP-UP WASTE

DESCRIPTION

32mm x 40mm Bolt Style Ceramic Dome Pop-Up
Basin Waste

FEATURES

- Suitable for Overflow or Non-overflow basins
 - Compact design
 - Silicone plug seal
 - Easy seal flange washer
 - Simple to install with just a screwdriver
 - Solid Brass construction with stainless steel
- 65mm length bolt
- Hot pressed for strength longevity
 - Durable electroplate finish
 - One model suits all basins
 - Australian Standard AS-1589 approved
 - Available in other finishes
 - 3 year parts only warranty from date of purchase

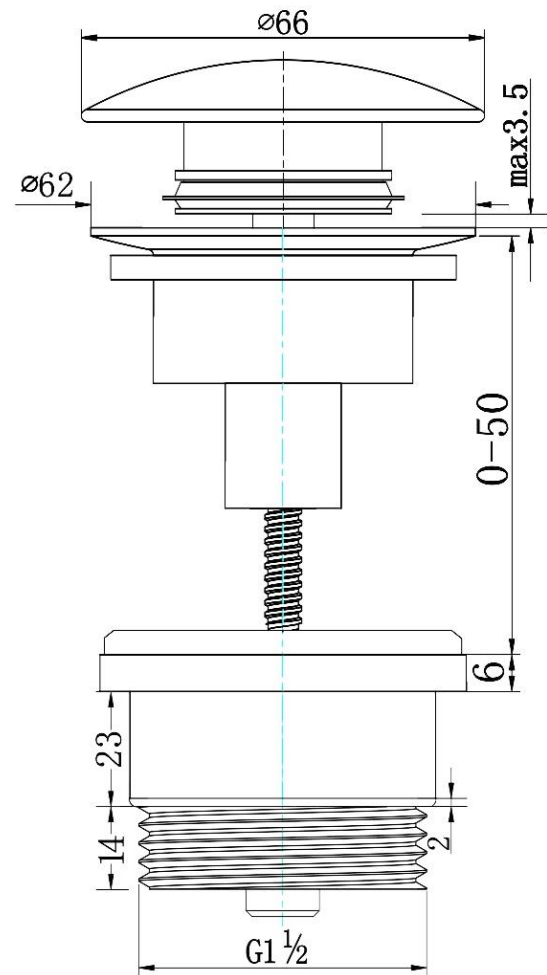
DETAILS

'WaterMark' Certification LN 23004

Part Code: TWS-082W

Available Finishes: Gloss White

TECHNICAL DETAILS



Note: Illustrations and specifications may vary
from time to time