



STAINLESS STEEL TILE GRATE

DESCRIPTION

133 x 50mm Tail Tile Insert or Solid Panel
Floor/Shower Grate

FEATURES

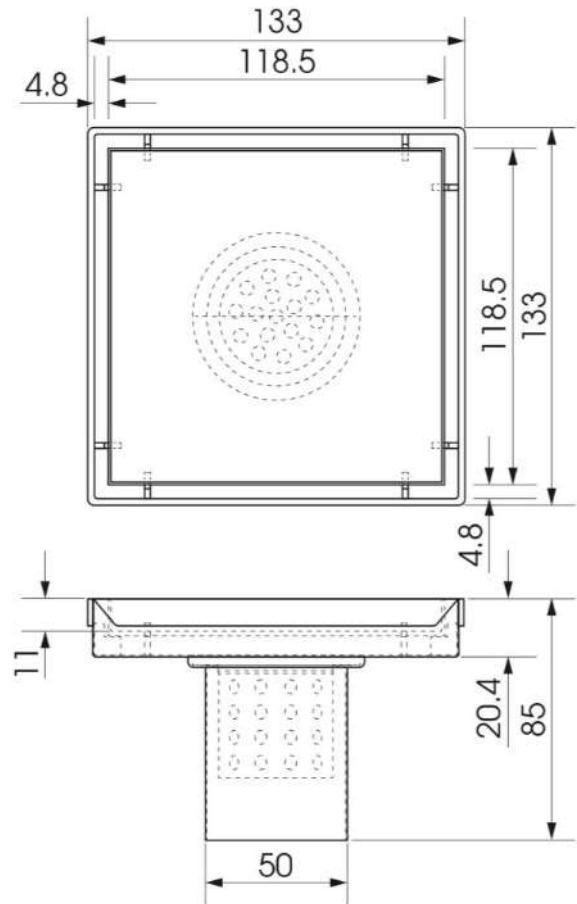
- Solid stainless steel construction with brushed finish
- Fits into 50mm DWV pipe
- Australian Standard AS-1589 approved
- Lift-out hair strainer basket
- Tile tray accommodates tiles up to 10mm thick or reverses for solid panel
- 7 years manufacturer's warranty from date of purchase

DETAILS

Part Code: TLG-0502

Available Finish: Brushed

TECHNICAL DETAILS



Note: Illustrations and specifications may vary from time to time