



## CHOPPING BOARD

### DESCRIPTION

Q4 Chopping Board

### FEATURES

- Rebated to suit Q4 Sinks with ergonomic hand grip/waste chute
- 1 year manufacturer's warranty on sink accessories except chopping boards from date of purchase

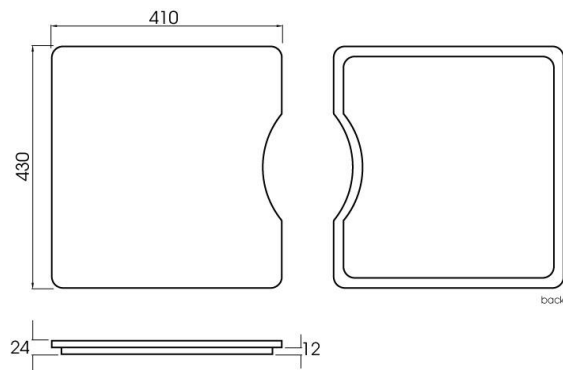
### DETAILS

Chopping Board

Part Code: TKA-010

Available Finishes: Wood

### TECHNICAL DETAILS



Note: Illustrations and specifications may vary from time to time



## WIRE DISH RACK

### DESCRIPTION

Q4 Wire Dish Rack

### FEATURES

- Generous size customized for Q4 Sinks
- 304 Stainless Steel
- 1 year manufacturer's warranty on sink accessories except chopping boards from date of purchase

### DETAILS

Wire Dish Rack

Part Code: TKA-020

Available Finishes: Chrome

### TECHNICAL DETAILS

